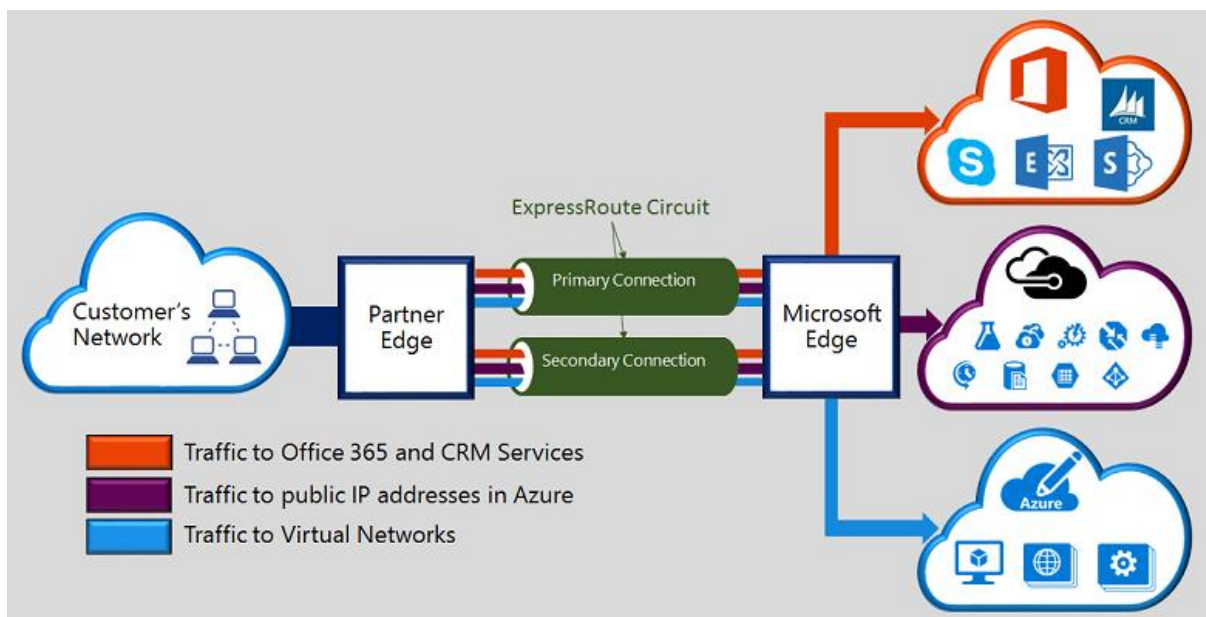


Microsoft's UK data centers are now able to connect PSN & N3 through our Partner Gateway services. Through ExpressRoute connections you can now extend your Hybrid Cloud and Private cloud instances on to PSN/N3. Let's take a look in more detail for the various options:

#### EXPRESSROUTE 101

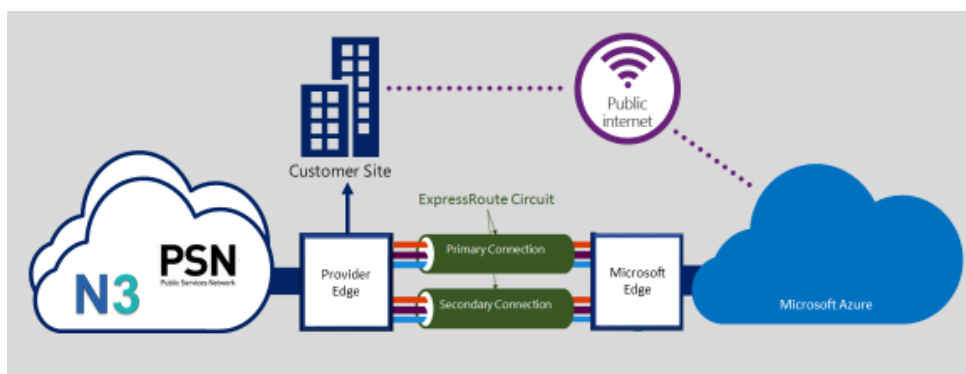
Microsoft Azure ExpressRoute lets you extend your on-premises networks into the Microsoft cloud over a dedicated private connection facilitated by a connectivity provider. With ExpressRoute, you can establish connections to Microsoft cloud services, such as Microsoft Azure, Office 365, and CRM Online.

Connectivity can be from an any-to-any (IP VPN) network, a point-to-point Ethernet network, or a virtual cross-connection through a connectivity provider at a co-location facility. ExpressRoute connections do not go over the public Internet. This allows ExpressRoute connections to offer more reliability, faster speeds and lower latencies than typical connections over the Internet.



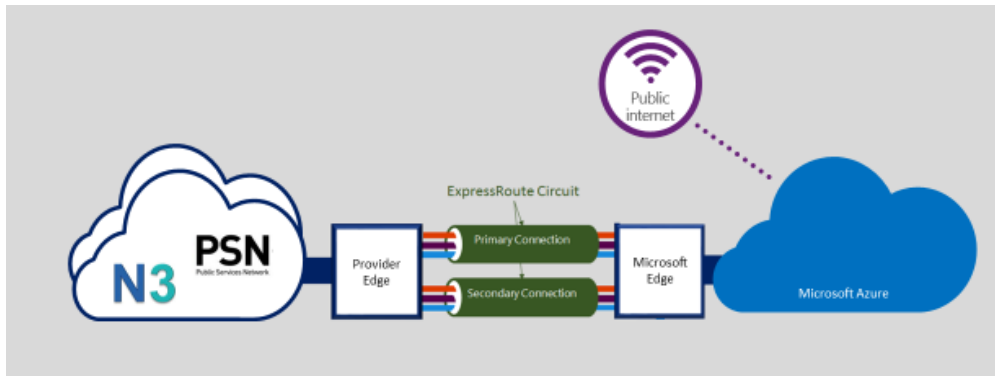
#### HYBRID CLOUD- ON GOV NETWORK

For Hybrid cloud scenarios, your on premises environment connects to the Public Cloud through two routes, Public Internet and ExpressRoute. This is recommended when you have a breadth of applications that have different requirements from a latency and data perspective. Some traffic will route over public internet and some will route via ExpressRoute. In the case of PSN/N3, the partner provides the breakout on to PSN/N3 and back to your corporate network.



## PUBLIC CLOUD- ON GOV NETWORK

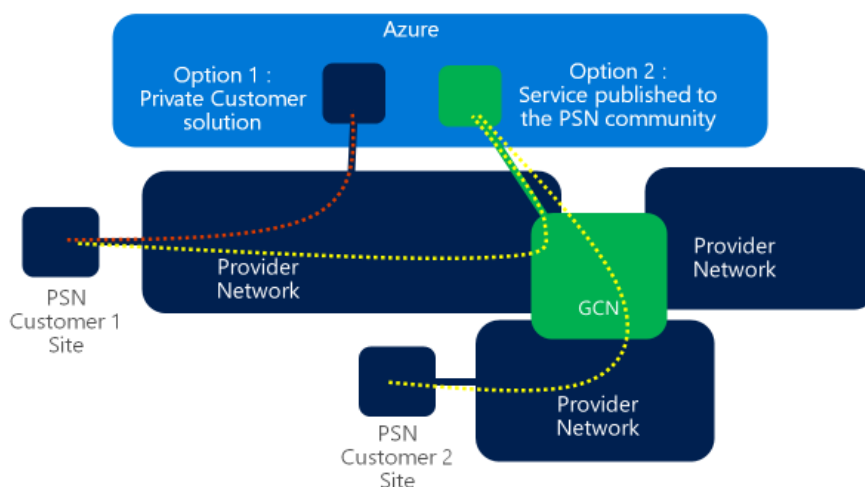
For applications and systems that are purely cloud based, connectivity back to your corporate network may not be required. As an end to end public cloud solution you can still connect back to PSN/N3 where required through the same ExpressRoute connection outlined above.



## HOW PSN CONNECTIVITY WORKS

For ExpressRoute customers with links to PSN, our partner gateway offerings provide:

1. Private connections between your private Azure solution to your network
  - The traffic will remain on the provider network
  - The traffic will not reach the GCN
  - The ExpressRoute circuit will be dedicated to your organization
  - The Azure services will not be reachable from any other your organization
2. Connections between your “public” service and the PSN community
  - The traffic will reach the GCN
  - The Azure service connected to the GCN is intended to be used by multiple organizations
  - The ExpressRoute circuit will be owned by the owner of the Azure service published to the GCN
  - The bandwidth of the ExpressRoute will be shared among the service consumers



For more information on deployment details and costs, please contact your Microsoft Account Manager to help us route your query to our Partner gateway providers.